



SPEC CPU®2017 Floating Point Rate Result

Copyright 2017-2023 Standard Performance Evaluation Corporation

xFusion

SPECrate®2017_fp_base = 840

FusionServer 1288H V7 (Intel Xeon Platinum 8460Y+)

SPECrate®2017_fp_peak = 842

CPU2017 License: 6488

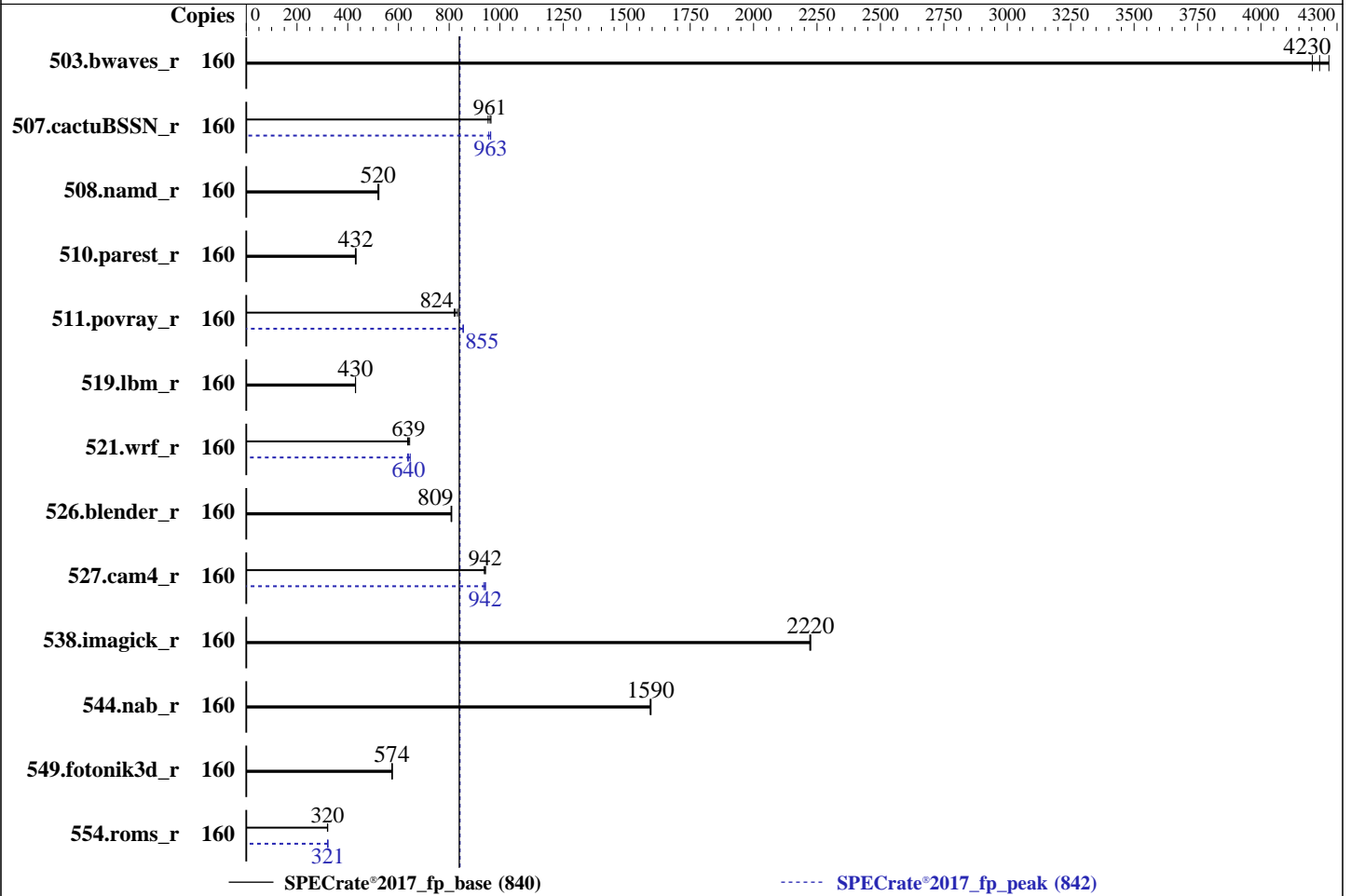
Test Sponsor: xFusion

Tested by: xFusion

Test Date: Jun-2023

Hardware Availability: Jan-2023

Software Availability: Dec-2022



Hardware

CPU Name: Intel Xeon Platinum 8460Y+
 Max MHz: 3700
 Nominal: 2000
 Enabled: 80 cores, 2 chips, 2 threads/core
 Orderable: 1,2 chips
 Cache L1: 32 KB I + 48 KB D on chip per core
 L2: 2 MB I+D on chip per core
 L3: 105 MB I+D on chip per chip
 Other: None
 Memory: 512 GB (16 x 32 GB 2Rx8 PC5-4800B-R)
 Storage: 1 x 1920 GB SATA SSD
 Other: None

Software

OS: Red Hat Enterprise Linux release 9.0 (Plow)
 5.14.0-70.13.1.el9_0.x86_64
 Compiler: C/C++: Version 2023.0 of Intel oneAPI DPC++/C++
 Compiler for Linux;
 Fortran: Version 2023.0 of Intel Fortran Compiler
 for Linux;
 Parallel: No
 Firmware: Version 2.00.55 Released Mar-2023
 File System: xfs
 System State: Run level 3 (multi-user)
 Base Pointers: 64-bit
 Peak Pointers: 64-bit
 Other: jemalloc memory allocator V5.0.1
 Power Management: BIOS and OS set to prefer performance at the cost
 of additional power usage



SPEC CPU®2017 Floating Point Rate Result

Copyright 2017-2023 Standard Performance Evaluation Corporation

xFusion

SPECrate®2017_fp_base = 840

FusionServer 1288H V7 (Intel Xeon Platinum 8460Y+)

SPECrate®2017_fp_peak = 842

CPU2017 License: 6488
Test Sponsor: xFusion
Tested by: xFusion

Test Date: Jun-2023
Hardware Availability: Jan-2023
Software Availability: Dec-2022

Results Table

Benchmark	Base							Peak						
	Copies	Seconds	Ratio	Seconds	Ratio	Seconds	Ratio	Copies	Seconds	Ratio	Seconds	Ratio	Seconds	Ratio
503.bwaves_r	160	379	4230	376	4270	382	4200	160	379	4230	376	4270	382	4200
507.cactuBSSN_r	160	210	965	212	953	211	961	160	210	963	210	963	212	956
508.namd_r	160	292	520	292	520	291	523	160	292	520	292	520	291	523
510.parest_r	160	973	430	968	433	969	432	160	973	430	968	433	969	432
511.povray_r	160	449	833	456	820	453	824	160	437	855	436	856	437	855
519.lbm_r	160	391	431	392	430	392	430	160	391	431	392	430	392	430
521.wrf_r	160	563	636	556	644	561	639	160	560	640	554	646	564	636
526.blender_r	160	301	809	302	807	301	810	160	301	809	302	807	301	810
527.cam4_r	160	297	943	298	938	297	942	160	297	943	299	936	297	942
538.imagick_r	160	179	2220	179	2220	179	2220	160	179	2220	179	2220	179	2220
544.nab_r	160	169	1600	169	1590	169	1590	160	169	1600	169	1590	169	1590
549.fotonik3d_r	160	1082	576	1086	574	1086	574	160	1082	576	1086	574	1086	574
554.roms_r	160	793	320	795	320	792	321	160	792	321	790	322	792	321

SPECrate®2017_fp_base = **840**

SPECrate®2017_fp_peak = **842**

Results appear in the order in which they were run. Bold underlined text indicates a median measurement.

Submit Notes

The numactl mechanism was used to bind copies to processors. The config file option 'submit' was used to generate numactl commands to bind each copy to a specific processor. For details, please see the config file.

Operating System Notes

Stack size set to unlimited using "ulimit -s unlimited"

Environment Variables Notes

Environment variables set by runcpu before the start of the run:
LD_LIBRARY_PATH = "/home/spec2017-ic2023/lib/intel64:/home/spec2017-ic2023/je5.0.1-64"
MALLOC_CONF = "retain:true"

General Notes

Binaries compiled on a system with 2x Intel Xeon Platinum 8280M CPU + 384GB RAM memory using Red Hat Enterprise Linux 8.4
Transparent Huge Pages enabled by default
Prior to runcpu invocation
Filesystem page cache synced and cleared with:
sync; echo 3> /proc/sys/vm/drop_caches
runcpu command invoked through numactl i.e.:
numactl --interleave=all runcpu <etc>
NA: The test sponsor attests, as of date of publication, that CVE-2017-5754 (Meltdown) is mitigated in the system as tested and documented.

(Continued on next page)



SPEC CPU®2017 Floating Point Rate Result

Copyright 2017-2023 Standard Performance Evaluation Corporation

xFusion

SPECrate®2017_fp_base = 840

FusionServer 1288H V7 (Intel Xeon Platinum 8460Y+)

SPECrate®2017_fp_peak = 842

CPU2017 License: 6488
Test Sponsor: xFusion
Tested by: xFusion

Test Date: Jun-2023
Hardware Availability: Jan-2023
Software Availability: Dec-2022

General Notes (Continued)

Yes: The test sponsor attests, as of date of publication, that CVE-2017-5753 (Spectre variant 1) is mitigated in the system as tested and documented.
Yes: The test sponsor attests, as of date of publication, that CVE-2017-5715 (Spectre variant 2) is mitigated in the system as tested and documented.
jemalloc, a general purpose malloc implementation
built with the RedHat Enterprise 7.5, and the system compiler gcc 4.8.5
sources available from jemalloc.net or <https://github.com/jemalloc/jemalloc/releases>

Platform Notes

BIOS configuration:
Performance Profile Set to Performance
SNC Set to Enable SNC4 (4-clusters)

Sysinfo program /home/spec2017-ic2023/bin/sysinfo
Rev: r6732 of 2022-11-07 fe91c89b7ed5c36ae2c92cc097bec197
running on localhost.localdomain Wed Jun 21 12:07:37 2023

SUT (System Under Test) info as seen by some common utilities.

Table of contents

1. uname -a
2. w
3. Username
4. ulimit -a
5. sysinfo process ancestry
6. /proc/cpuinfo
7. lscpu
8. numactl --hardware
9. /proc/meminfo
10. who -r
11. Systemd service manager version: systemd 250 (250-6.el9_0)
12. Failed units, from systemctl list-units --state=failed
13. Services, from systemctl list-unit-files
14. Linux kernel boot-time arguments, from /proc/cmdline
15. cpupower frequency-info
16. tuned-adm active
17. sysctl
18. /sys/kernel/mm/transparent_hugepage
19. /sys/kernel/mm/transparent_hugepage/khugepaged
20. OS release
21. Disk information
22. /sys/devices/virtual/dmi/id
23. dmidecode
24. BIOS

1. uname -a
Linux localhost.localdomain 5.14.0-70.13.1.el9_0.x86_64 #1 SMP PREEMPT Thu Apr 14 12:42:38 EDT 2022 x86_64
x86_64 x86_64 GNU/Linux

2. w
12:07:37 up 6:05, 1 user, load average: 42.43, 121.98, 145.64
USER TTY LOGIN@ IDLE JCPU PCPU WHAT
root tty1 06:02 6:04m 1.29s 0.06s -bash

(Continued on next page)



SPEC CPU®2017 Floating Point Rate Result

Copyright 2017-2023 Standard Performance Evaluation Corporation

xFusion

SPECrate®2017_fp_base = 840

FusionServer 1288H V7 (Intel Xeon Platinum 8460Y+)

SPECrate®2017_fp_peak = 842

CPU2017 License: 6488
Test Sponsor: xFusion
Tested by: xFusion

Test Date: Jun-2023
Hardware Availability: Jan-2023
Software Availability: Dec-2022

Platform Notes (Continued)

3. Username

From environment variable \$USER: root

4. ulimit -a

```
real-time non-blocking time (microseconds, -R) unlimited
core file size (blocks, -c) 0
data seg size (kbytes, -d) unlimited
scheduling priority (-e) 0
file size (blocks, -f) unlimited
pending signals (-i) 2060107
max locked memory (kbytes, -l) 64
max memory size (kbytes, -m) unlimited
open files (-n) 1024
pipe size (512 bytes, -p) 8
POSIX message queues (bytes, -q) 819200
real-time priority (-r) 0
stack size (kbytes, -s) unlimited
cpu time (seconds, -t) unlimited
max user processes (-u) 2060107
virtual memory (kbytes, -v) unlimited
file locks (-x) unlimited
```

5. sysinfo process ancestry

```
/usr/lib/systemd/systemd --switched-root --system --deserialize 28
login -- root
-bash
-bash
runcpu --define default-platform-flags --copies 160 -c ic2023.0-lin-sapphirerapids-rate-20221201.cfg
--define smt-on --define cores=80 --define physicalfirst --define invoke_with_interleave --define
drop_caches --tune base,peak --iterations 3 -o all fprate
runcpu --define default-platform-flags --copies 160 --configfile
ic2023.0-lin-sapphirerapids-rate-20221201.cfg --define smt-on --define cores=80 --define physicalfirst
--define invoke_with_interleave --define drop_caches --tune base,peak --iterations 3 --output_format all
--nopower --runmode rate --tune base:peak --size refrate fprate --nopreenv --note-preenv --logfile
$SPEC/tmp/CPU2017.060/temlogs/preenv.fprate.060.0.log --lognum 060.0 --from_runcpu 2
specperl $SPEC/bin/sysinfo
$SPEC = /home/spec2017-ic2023
```

6. /proc/cpuinfo

```
model name      : Intel(R) Xeon(R) Platinum 8460Y+
vendor_id      : GenuineIntel
cpu family     : 6
model          : 143
stepping       : 8
microcode     : 0x2b000111
bugs           : spectre_v1 spectre_v2 spec_store_bypass swapgs
cpu cores      : 40
siblings       : 80
2 physical ids (chips)
160 processors (hardware threads)
physical id 0: core ids 0-39
physical id 1: core ids 0-39
physical id 0: apicids 0-79
physical id 1: apicids 128-207
```

Caution: /proc/cpuinfo data regarding chips, cores, and threads is not necessarily reliable, especially for

(Continued on next page)



SPEC CPU®2017 Floating Point Rate Result

Copyright 2017-2023 Standard Performance Evaluation Corporation

xFusion

SPECrate®2017_fp_base = 840

FusionServer 1288H V7 (Intel Xeon Platinum 8460Y+)

SPECrate®2017_fp_peak = 842

CPU2017 License: 6488
Test Sponsor: xFusion
Tested by: xFusion

Test Date: Jun-2023
Hardware Availability: Jan-2023
Software Availability: Dec-2022

Platform Notes (Continued)

virtualized systems. Use the above data carefully.

7. lscpu

From lscpu from util-linux 2.37.4:

```

Architecture:          x86_64
CPU op-mode(s):        32-bit, 64-bit
Address sizes:          46 bits physical, 57 bits virtual
Byte Order:             Little Endian
CPU(s):                 160
On-line CPU(s) list:   0-159
Vendor ID:              GenuineIntel
BIOS Vendor ID:        Intel(R) Corporation
Model name:             Intel(R) Xeon(R) Platinum 8460Y+
BIOS Model name:       Intel(R) Xeon(R) Platinum 8460Y+
CPU family:            6
Model:                  143
Thread(s) per core:    2
Core(s) per socket:    40
Socket(s):              2
Stepping:               8
BogoMIPS:               4000.00
Flags:                  fpu vme de pse tsc msr pae mce cx8 apic sep mtrr pge mca cmov pat pse36
                        clflush dts acpi mmx fxsr sse sse2 ss ht tm pbe syscall nx pdpe1gb rdtscp
                        lm constant_tsc art arch_perfmon pebs bts rep_good nopl xtopology
                        nonstop_tsc cpuid aperfmperf tsc_known_freq pni pclmulqdq dtes64 ds_cpl
                        vmx smx est tm2 ssse3 sdbg fma cx16 xtpr pdcm pcid dca sse4_1 sse4_2
                        x2apic movbe popcnt tsc_deadline_timer aes xsave avx f16c rdrand lahf_lm
                        abm 3dnowprefetch cpuid_fault epb cat_l3 cat_l2 cdp_l3 invpcid_single
                        intel_ppin cdp_l2 ssbd mba ibrs ibpb stibp ibrs_enhanced tpr_shadow vnmi
                        flexpriority ept vpid ept_ad fsgsbase tsc_adjust bmi1 avx2 smep bmi2 erms
                        invpcid cqm rdt_a avx512f avx512dq rdseed adx smap avx512ifma clflushopt
                        clwb intel_pt avx512cd sha_ni avx512bw avx512vl xsaveopt xsavec xgetbv1
                        xsaves cqm_llc cqm_occup_llc cqm_mbm_total cqm_mbm_local split_lock_detect
                        avx_vnni avx512_bf16 wbnoinvd dtherm ida arat pln pts avx512vbmi umip pku
                        ospke waitpkg avx512_vbmi2 gfni vaes vpclmulqdq avx512_vnni avx512_bitalg
                        tme avx512_vpopcntdq la57 rdpid bus_lock_detect cldemote movdiri movdir64b
                        enqcmd fsrm md_clear serialize tsxldtrk pconfig arch_lbr avx512_fp16
                        amx_tile flush_l1d arch_capabilities

```

```

Virtualization:        VT-x
L1d cache:             3.8 MiB (80 instances)
L1i cache:             2.5 MiB (80 instances)
L2 cache:              160 MiB (80 instances)
L3 cache:              210 MiB (2 instances)
NUMA node(s):          8
NUMA node0 CPU(s):    0-9,80-89
NUMA node1 CPU(s):    10-19,90-99
NUMA node2 CPU(s):    20-29,100-109
NUMA node3 CPU(s):    30-39,110-119
NUMA node4 CPU(s):    40-49,120-129
NUMA node5 CPU(s):    50-59,130-139
NUMA node6 CPU(s):    60-69,140-149
NUMA node7 CPU(s):    70-79,150-159
Vulnerability Itlb multihit: Not affected
Vulnerability L1tf:     Not affected
Vulnerability Mds:      Not affected
Vulnerability Meltdown: Not affected
Vulnerability Spec store bypass: Mitigation; Speculative Store Bypass disabled via prctl
Vulnerability Spectre v1: Mitigation; usercopy/swapgs barriers and __user pointer sanitization

```

(Continued on next page)



SPEC CPU®2017 Floating Point Rate Result

Copyright 2017-2023 Standard Performance Evaluation Corporation

xFusion

SPECrate®2017_fp_base = 840

FusionServer 1288H V7 (Intel Xeon Platinum 8460Y+)

SPECrate®2017_fp_peak = 842

CPU2017 License: 6488
Test Sponsor: xFusion
Tested by: xFusion

Test Date: Jun-2023
Hardware Availability: Jan-2023
Software Availability: Dec-2022

Platform Notes (Continued)

Vulnerability Spectre v2: Mitigation; Enhanced IBRS, IBPB conditional, RSB filling
Vulnerability Srbds: Not affected
Vulnerability Tsx async abort: Not affected

From lscpu --cache:

NAME	ONE-SIZE	ALL-SIZE	WAYS	TYPE	LEVEL	SETS	PHY-LINE	COHERENCY-SIZE
L1d	48K	3.8M	12	Data	1	64	1	64
L1i	32K	2.5M	8	Instruction	1	64	1	64
L2	2M	160M	16	Unified	2	2048	1	64
L3	105M	210M	15	Unified	3	114688	1	64

8. numactl --hardware

NOTE: a numactl 'node' might or might not correspond to a physical chip.

```

available: 8 nodes (0-7)
node 0 cpus: 0-9,80-89
node 0 size: 63569 MB
node 0 free: 50429 MB
node 1 cpus: 10-19,90-99
node 1 size: 64507 MB
node 1 free: 56077 MB
node 2 cpus: 20-29,100-109
node 2 size: 64507 MB
node 2 free: 56033 MB
node 3 cpus: 30-39,110-119
node 3 size: 64471 MB
node 3 free: 56043 MB
node 4 cpus: 40-49,120-129
node 4 size: 64507 MB
node 4 free: 56072 MB
node 5 cpus: 50-59,130-139
node 5 size: 64507 MB
node 5 free: 56094 MB
node 6 cpus: 60-69,140-149
node 6 size: 64507 MB
node 6 free: 52864 MB
node 7 cpus: 70-79,150-159
node 7 size: 64487 MB
node 7 free: 56092 MB
node distances:
node  0  1  2  3  4  5  6  7
0:  10 12 12 12 21 21 21 21
1:  12 10 12 12 21 21 21 21
2:  12 12 10 12 21 21 21 21
3:  12 12 12 10 21 21 21 21
4:  21 21 21 21 10 12 12 12
5:  21 21 21 21 12 10 12 12
6:  21 21 21 21 12 12 10 12
7:  21 21 21 21 12 12 12 10

```

9. /proc/meminfo

MemTotal: 527428144 kB

10. who -r

run-level 3 Jun 21 06:02

11. Systemd service manager version: systemd 250 (250-6.e19_0)

(Continued on next page)



SPEC CPU®2017 Floating Point Rate Result

Copyright 2017-2023 Standard Performance Evaluation Corporation

xFusion

SPECrate®2017_fp_base = 840

FusionServer 1288H V7 (Intel Xeon Platinum 8460Y+)

SPECrate®2017_fp_peak = 842

CPU2017 License: 6488
Test Sponsor: xFusion
Tested by: xFusion

Test Date: Jun-2023
Hardware Availability: Jan-2023
Software Availability: Dec-2022

Platform Notes (Continued)

Default Target Status
multi-user degraded

12. Failed units, from `systemctl list-units --state=failed`
UNIT LOAD ACTIVE SUB DESCRIPTION
* dnf-makecache.service loaded failed failed dnf makecache
* sep5.service loaded failed failed systemd script to load sep5 driver at boot time

13. Services, from `systemctl list-unit-files`
STATE UNIT FILES
enabled NetworkManager NetworkManager-dispatcher NetworkManager-wait-online auditd chronyd crond
dbus-broker firewalld getty@ irqbalance kdump lvm2-monitor mdmonitor microcode
nis-domainname rhsmcertd rsyslog selinux-autorelabel-mark sep5 sshd sssd sysstat
systemd-network-generator tuned udisks2 upower
enabled-runtime systemd-remount-fs
disabled arp-ethers blk-availability canberra-system-bootup canberra-system-shutdown
canberra-system-shutdown-reboot chrony-wait console-getty cpupower debug-shell kvm_stat
man-db-restart-cache-update nftables powertop rdisc rhsm rhsm-facts rpmdb-rebuild
serial-getty@ sshd-keygen@ systemd-boot-check-no-failures systemd-pstore systemd-sysext
indirect sssd-autofs sssd-kcm sssd-nss sssd-pac sssd-pam sssd-ssh sssd-sudo

14. Linux kernel boot-time arguments, from `/proc/cmdline`
BOOT_IMAGE=(hd0,gpt2)/vmlinuz-5.14.0-70.13.1.el9_0.x86_64
root=/dev/mapper/rhel-root
ro
crashkernel=1G-4G:192M,4G-64G:256M,64G-:512M
resume=/dev/mapper/rhel-swap
rd.lvm.lv=rhel/root
rd.lvm.lv=rhel/swap

15. cpupower frequency-info
analyzing CPU 0:
Unable to determine current policy
boost state support:
Supported: yes
Active: yes

16. tuned-adm active
Current active profile: throughput-performance

17. sysctl
kernel.numa_balancing 1
kernel.randomize_va_space 2
vm.compaction_proactiveness 20
vm.dirty_background_bytes 0
vm.dirty_background_ratio 10
vm.dirty_bytes 0
vm.dirty_expire_centisecs 3000
vm.dirty_ratio 40
vm.dirty_writeback_centisecs 500
vm.dirtytime_expire_seconds 43200
vm.extfrag_threshold 500
vm.min_unmapped_ratio 1
vm.nr_hugepages 0

(Continued on next page)



SPEC CPU®2017 Floating Point Rate Result

Copyright 2017-2023 Standard Performance Evaluation Corporation

xFusion

SPECrate®2017_fp_base = 840

FusionServer 1288H V7 (Intel Xeon Platinum 8460Y+)

SPECrate®2017_fp_peak = 842

CPU2017 License: 6488
Test Sponsor: xFusion
Tested by: xFusion

Test Date: Jun-2023
Hardware Availability: Jan-2023
Software Availability: Dec-2022

Platform Notes (Continued)

```

vm.nr_hugepages_mempolicy      0
vm.nr_overcommit_hugepages    0
vm.swappiness                  10
vm.watermark_boost_factor     15000
vm.watermark_scale_factor     10
vm.zone_reclaim_mode          0

```

```

-----
18. /sys/kernel/mm/transparent_hugepage
defrag          always defer+madvise [madvise] never
enabled         [always] madvise never
hpage_pmd_size  2097152
shmem_enabled   always within_size advise [never] deny force

```

```

-----
19. /sys/kernel/mm/transparent_hugepage/khugepaged
alloc_sleep_millisecs  60000
defrag                 1
max_ptes_none          511
max_ptes_shared        256
max_ptes_swap          64
pages_to_scan          4096
scan_sleep_millisecs  10000

```

```

-----
20. OS release
From /etc/*-release /etc/*-version
os-release      Red Hat Enterprise Linux 9.0 (Plow)
redhat-release  Red Hat Enterprise Linux release 9.0 (Plow)
system-release  Red Hat Enterprise Linux release 9.0 (Plow)

```

```

-----
21. Disk information
SPEC is set to: /home/spec2017-ic2023
Filesystem      Type  Size  Used Avail Use% Mounted on
/dev/mapper/rhel-home xfs   1.7T  288G  1.4T  17% /home

```

```

-----
22. /sys/devices/virtual/dmi/id
Vendor:          XFUSION
Product:         1288H V7
Product Family:  Eagle Stream
Serial:          serial

```

```

-----
23. dmidecode
Additional information from dmidecode 3.3 follows.  WARNING: Use caution when you interpret this section.
The 'dmidecode' program reads system data which is "intended to allow hardware to be accurately
determined", but the intent may not be met, as there are frequent changes to hardware, firmware, and the
"DMTF SMBIOS" standard.
Memory:
  16x Samsung M321R4GA3BB6-CQKDG 32 GB 2 rank 4800

```

```

-----
24. BIOS
(This section combines info from /sys/devices and dmidecode.)
BIOS Vendor:      XFUSION
BIOS Version:     2.00.55
BIOS Date:        03/07/2023

```

(Continued on next page)



SPEC CPU®2017 Floating Point Rate Result

Copyright 2017-2023 Standard Performance Evaluation Corporation

xFusion

SPECrate®2017_fp_base = 840

FusionServer 1288H V7 (Intel Xeon Platinum 8460Y+)

SPECrate®2017_fp_peak = 842

CPU2017 License: 6488
Test Sponsor: xFusion
Tested by: xFusion

Test Date: Jun-2023
Hardware Availability: Jan-2023
Software Availability: Dec-2022

Platform Notes (Continued)

BIOS Revision: 0.55

Compiler Version Notes

```

=====
C | 519.lbm_r(base, peak) 538.imagick_r(base, peak) 544.nab_r(base, peak)
-----
Intel(R) oneAPI DPC++/C++ Compiler for applications running on Intel(R) 64, Version 2023.0.0 Build 20221201
Copyright (C) 1985-2022 Intel Corporation. All rights reserved.
-----

=====
C++ | 508.namd_r(base, peak) 510.parest_r(base, peak)
-----
Intel(R) oneAPI DPC++/C++ Compiler for applications running on Intel(R) 64, Version 2023.0.0 Build 20221201
Copyright (C) 1985-2022 Intel Corporation. All rights reserved.
-----

=====
C++, C | 511.povray_r(base, peak) 526.blender_r(base, peak)
-----
Intel(R) oneAPI DPC++/C++ Compiler for applications running on Intel(R) 64, Version 2023.0.0 Build 20221201
Copyright (C) 1985-2022 Intel Corporation. All rights reserved.
Intel(R) oneAPI DPC++/C++ Compiler for applications running on Intel(R) 64, Version 2023.0.0 Build 20221201
Copyright (C) 1985-2022 Intel Corporation. All rights reserved.
-----

=====
C++, C, Fortran | 507.cactuBSSN_r(base, peak)
-----
Intel(R) oneAPI DPC++/C++ Compiler for applications running on Intel(R) 64, Version 2023.0.0 Build 20221201
Copyright (C) 1985-2022 Intel Corporation. All rights reserved.
Intel(R) oneAPI DPC++/C++ Compiler for applications running on Intel(R) 64, Version 2023.0.0 Build 20221201
Copyright (C) 1985-2022 Intel Corporation. All rights reserved.
Intel(R) Fortran Compiler for applications running on Intel(R) 64, Version 2023.0.0 Build 20221201
Copyright (C) 1985-2022 Intel Corporation. All rights reserved.
-----

=====
Fortran | 503.bwaves_r(base, peak) 549.fotonik3d_r(base, peak) 554.roms_r(base, peak)
-----
Intel(R) Fortran Compiler for applications running on Intel(R) 64, Version 2023.0.0 Build 20221201
Copyright (C) 1985-2022 Intel Corporation. All rights reserved.
-----

=====
Fortran, C | 521.wrf_r(base, peak) 527.cam4_r(base, peak)
-----
Intel(R) Fortran Compiler for applications running on Intel(R) 64, Version 2023.0.0 Build 20221201
Copyright (C) 1985-2022 Intel Corporation. All rights reserved.
Intel(R) oneAPI DPC++/C++ Compiler for applications running on Intel(R) 64, Version 2023.0.0 Build 20221201
Copyright (C) 1985-2022 Intel Corporation. All rights reserved.
-----

```



SPEC CPU®2017 Floating Point Rate Result

Copyright 2017-2023 Standard Performance Evaluation Corporation

xFusion

SPECrate®2017_fp_base = 840

FusionServer 1288H V7 (Intel Xeon Platinum 8460Y+)

SPECrate®2017_fp_peak = 842

CPU2017 License: 6488
Test Sponsor: xFusion
Tested by: xFusion

Test Date: Jun-2023
Hardware Availability: Jan-2023
Software Availability: Dec-2022

Base Compiler Invocation

C benchmarks:

icx

C++ benchmarks:

icpx

Fortran benchmarks:

ifx

Benchmarks using both Fortran and C:

ifx icx

Benchmarks using both C and C++:

icpx icx

Benchmarks using Fortran, C, and C++:

icpx icx ifx

Base Portability Flags

```
503.bwaves_r: -DSPEC_LP64
507.cactuBSSN_r: -DSPEC_LP64
508.namd_r: -DSPEC_LP64
510.parest_r: -DSPEC_LP64
511.povray_r: -DSPEC_LP64
519.lbm_r: -DSPEC_LP64
521.wrf_r: -DSPEC_LP64 -DSPEC_CASE_FLAG -convert big_endian
526.blender_r: -DSPEC_LP64 -DSPEC_LINUX -funsigned-char
527.cam4_r: -DSPEC_LP64 -DSPEC_CASE_FLAG
538.imagick_r: -DSPEC_LP64
544.nab_r: -DSPEC_LP64
549.fotonik3d_r: -DSPEC_LP64
554.roms_r: -DSPEC_LP64
```

Base Optimization Flags

C benchmarks:

```
-w -std=c11 -m64 -Wl,-z,muldefs -xsapphirerapids -Ofast -ffast-math
-flto -mfpmath=sse -funroll-loops -qopt-mem-layout-trans=4
-Wno-implicit-int -mprefer-vector-width=512 -ljemalloc
-L/usr/local/jemalloc64-5.0.1/lib
```

(Continued on next page)



SPEC CPU®2017 Floating Point Rate Result

Copyright 2017-2023 Standard Performance Evaluation Corporation

xFusion

SPECrate®2017_fp_base = 840

FusionServer 1288H V7 (Intel Xeon Platinum 8460Y+)

SPECrate®2017_fp_peak = 842

CPU2017 License: 6488
Test Sponsor: xFusion
Tested by: xFusion

Test Date: Jun-2023
Hardware Availability: Jan-2023
Software Availability: Dec-2022

Base Optimization Flags (Continued)

C++ benchmarks:

```
-w -std=c++14 -m64 -Wl,-z,muldefs -xsapphirerapids -Ofast
-ffast-math -flto -mfpmath=sse -funroll-loops
-qopt-mem-layout-trans=4 -mprefer-vector-width=512 -ljemalloc
-L/usr/local/jemalloc64-5.0.1/lib
```

Fortran benchmarks:

```
-w -m64 -Wl,-z,muldefs -xsapphirerapids -Ofast -ffast-math -flto
-mfpmath=sse -funroll-loops -qopt-mem-layout-trans=4
-nostandard-realloc-lhs -align array32byte -auto -ljemalloc
-L/usr/local/jemalloc64-5.0.1/lib
```

Benchmarks using both Fortran and C:

```
-w -m64 -std=c11 -Wl,-z,muldefs -xsapphirerapids -Ofast -ffast-math
-flto -mfpmath=sse -funroll-loops -qopt-mem-layout-trans=4
-Wno-implicit-int -mprefer-vector-width=512 -nostandard-realloc-lhs
-align array32byte -auto -ljemalloc -L/usr/local/jemalloc64-5.0.1/lib
```

Benchmarks using both C and C++:

```
-w -std=c++14 -m64 -std=c11 -Wl,-z,muldefs -xsapphirerapids -Ofast
-ffast-math -flto -mfpmath=sse -funroll-loops
-qopt-mem-layout-trans=4 -Wno-implicit-int -mprefer-vector-width=512
-ljemalloc -L/usr/local/jemalloc64-5.0.1/lib
```

Benchmarks using Fortran, C, and C++:

```
-w -m64 -std=c++14 -std=c11 -Wl,-z,muldefs -xsapphirerapids -Ofast
-ffast-math -flto -mfpmath=sse -funroll-loops
-qopt-mem-layout-trans=4 -Wno-implicit-int -mprefer-vector-width=512
-nostandard-realloc-lhs -align array32byte -auto -ljemalloc
-L/usr/local/jemalloc64-5.0.1/lib
```

Peak Compiler Invocation

C benchmarks:

icx

C++ benchmarks:

icpx

Fortran benchmarks:

ifx

Benchmarks using both Fortran and C:

ifx icx

(Continued on next page)



SPEC CPU®2017 Floating Point Rate Result

Copyright 2017-2023 Standard Performance Evaluation Corporation

xFusion

SPECrate®2017_fp_base = 840

FusionServer 1288H V7 (Intel Xeon Platinum 8460Y+)

SPECrate®2017_fp_peak = 842

CPU2017 License: 6488
Test Sponsor: xFusion
Tested by: xFusion

Test Date: Jun-2023
Hardware Availability: Jan-2023
Software Availability: Dec-2022

Peak Compiler Invocation (Continued)

Benchmarks using both C and C++:

icpx icx

Benchmarks using Fortran, C, and C++:

icpx icx ifx

Peak Portability Flags

Same as Base Portability Flags

Peak Optimization Flags

C benchmarks:

519.lbm_r: basepeak = yes

538.imagick_r: basepeak = yes

544.nab_r: basepeak = yes

C++ benchmarks:

508.namd_r: basepeak = yes

510.parest_r: basepeak = yes

Fortran benchmarks:

503.bwaves_r: basepeak = yes

549.fotonik3d_r: basepeak = yes

554.roms_r: -w -m64 -Wl,-z,muldefs -xsapphirerapids -Ofast
-ffast-math -flto -mfpmath=sse -funroll-loops
-qopt-mem-layout-trans=4 -nostandard-realloc-lhs
-align array32byte -auto -ljemalloc
-L/usr/local/jemalloc64-5.0.1/lib

Benchmarks using both Fortran and C:

-w -m64 -std=c11 -Wl,-z,muldefs -xsapphirerapids -Ofast -ffast-math

(Continued on next page)



SPEC CPU®2017 Floating Point Rate Result

Copyright 2017-2023 Standard Performance Evaluation Corporation

xFusion

SPECrate®2017_fp_base = 840

FusionServer 1288H V7 (Intel Xeon Platinum 8460Y+)

SPECrate®2017_fp_peak = 842

CPU2017 License: 6488
Test Sponsor: xFusion
Tested by: xFusion

Test Date: Jun-2023
Hardware Availability: Jan-2023
Software Availability: Dec-2022

Peak Optimization Flags (Continued)

Benchmarks using both Fortran and C (continued):

```
-flto -mfpmath=sse -funroll-loops -qopt-mem-layout-trans=4  
-Wno-implicit-int -mprefer-vector-width=512 -nostandard-realloc-lhs  
-align array32byte -auto -ljemalloc -L/usr/local/jemalloc64-5.0.1/lib
```

Benchmarks using both C and C++:

```
511.povray_r: -w -std=c++14 -m64 -std=c11 -Wl,-z,muldefs  
-fprofile-generate(pass 1)  
-fprofile-use=default.profddata(pass 2) -xCORE-AVX2(pass 1)  
-flto -Ofast -xCORE-AVX512 -ffast-math -mfpmath=sse  
-funroll-loops -qopt-mem-layout-trans=4 -Wno-implicit-int  
-mprefer-vector-width=512 -ljemalloc  
-L/usr/local/jemalloc64-5.0.1/lib
```

526.blender_r: basepeak = yes

Benchmarks using Fortran, C, and C++:

```
-w -m64 -std=c++14 -std=c11 -Wl,-z,muldefs -xsapphirerapids -Ofast  
-ffast-math -flto -mfpmath=sse -funroll-loops  
-qopt-mem-layout-trans=4 -Wno-implicit-int -mprefer-vector-width=512  
-nostandard-realloc-lhs -align array32byte -auto -ljemalloc  
-L/usr/local/jemalloc64-5.0.1/lib
```

The flags files that were used to format this result can be browsed at

<http://www.spec.org/cpu2017/flags/Intel-ic2023-official-linux64.html>
<http://www.spec.org/cpu2017/flags/xFusion-Platform-Settings-SPR-V1.1-revC.html>

You can also download the XML flags sources by saving the following links:

<http://www.spec.org/cpu2017/flags/Intel-ic2023-official-linux64.xml>
<http://www.spec.org/cpu2017/flags/xFusion-Platform-Settings-SPR-V1.1-revC.xml>

SPEC CPU and SPECrate are registered trademarks of the Standard Performance Evaluation Corporation. All other brand and product names appearing in this result are trademarks or registered trademarks of their respective holders.

For questions about this result, please contact the tester. For other inquiries, please contact info@spec.org.

Tested with SPEC CPU®2017 v1.1.9 on 2023-06-21 12:07:37-0400.
Report generated on 2023-07-19 16:23:04 by CPU2017 PDF formatter v6716.
Originally published on 2023-07-19.